

NORDIC

TRADITIONAL HARDWARE FOR TIMBER JOINERY

Stylish solutions for timber

The Nordic range of traditional fastener and fanlight stays, is a stylish hardware solution for timber windows.

The Nordic fastener has been engineered with a firm grip and a range of locking and non-locking options for appropriate security.

The cockspur fastener is available with non-handed keep options to suit most window sections, with night vent and an integral sash lift to improve weathersealing.

Fanlight stays are available in locking and non-locking versions in a standard length 250mm with a range of opening positions to suit most window designs.



Information

257PW NORDIC Fanlight Stay (white)

- Corrosion resistant
- Locking & non locking options
- 250mm length

M.N Code

257PWLK (Locking)
257PWNL (Non Locking)

255PW NORDIC Cockspur (white)

- Corrosion resistant
- Locking & non locking options with night vent
- Right hand & left hand available

M.N Code

255PWLKLH (Locking)
255PWLKRH (Locking)
255PWNLH (Non Locking)
255PWNLRH (Non Locking)

257SC NORDIC Fanlight Stay (satin)

- Corrosion resistant
- Locking & non locking options
- 250mm length

M.N Code

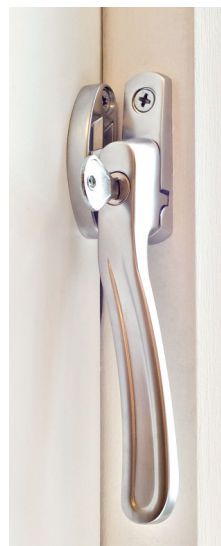
257SCLK (Locking)
257SCNL (Non Locking)

255SC NORDIC Cockspur (satin)

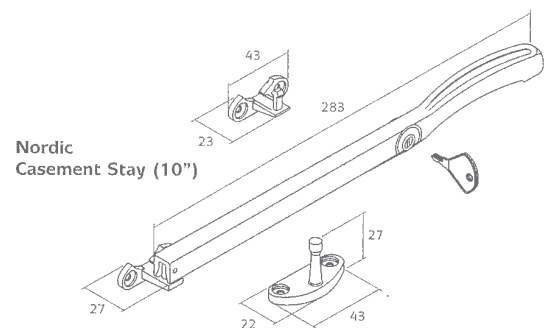
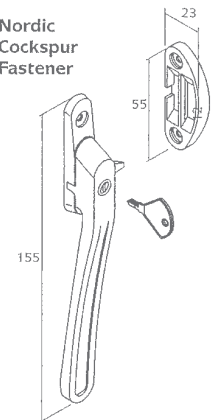
- Corrosion resistant
- Locking & non locking options with night vent
- Right hand & left hand available

M.N Code

255SCLKLH (Locking)
255SCLKRH (Locking)
255SCNLLH (Non Locking)
255SCNLRH (Non Locking)



Nordic
Cockspur
Fastener



Nordic
Casement Stay (10")

For more information contact us on 0800 66 35 766
or email info@milesnelson.co.nz
or visit us online at www.milesnelson.co.nz