

1

2

3

4

5

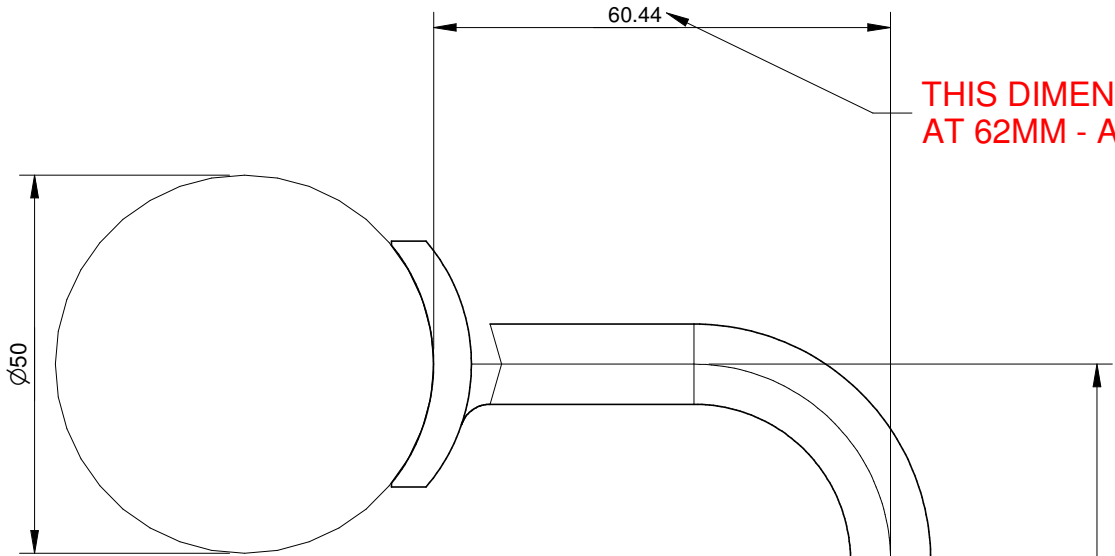
6

ISSUE	CHANGE	DATE

THIS DIMENSION MEASURED AT 62MM - ACCEPTABLE

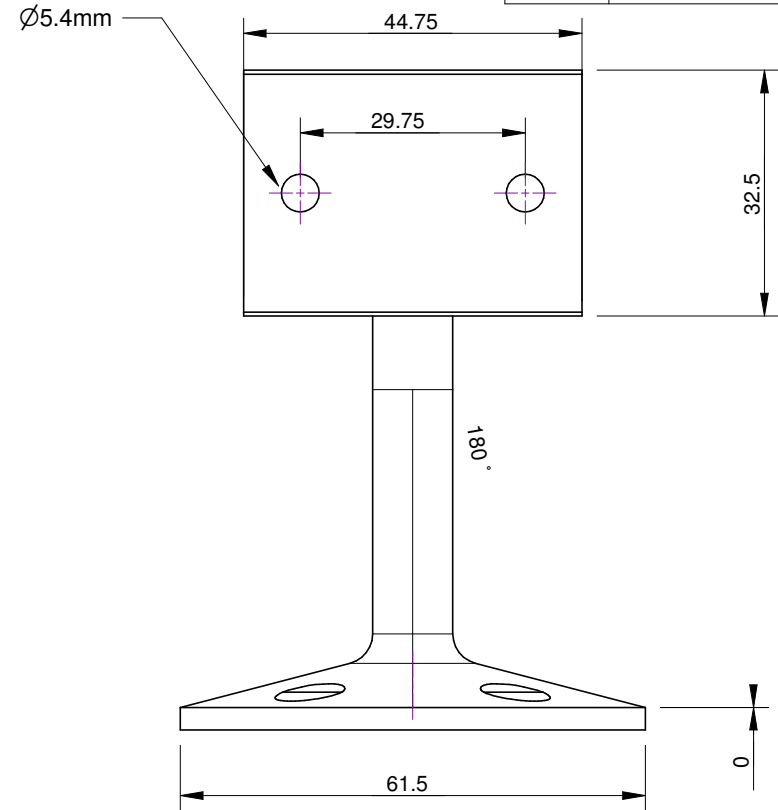
A

A



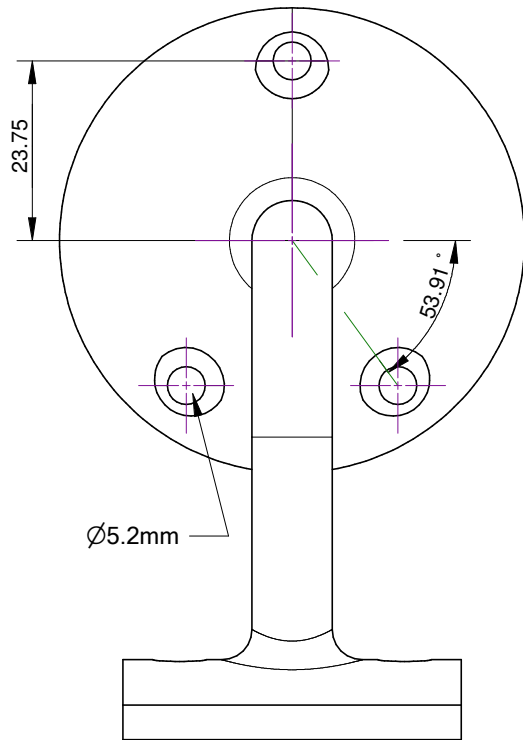
B

B



C

C



D

D

<p><i>MILES NELSON</i></p> <p>228 KITCHENER RD MILFORD, AUCKLAND, NEW ZEALAND. PH: 64 9 489 7225 FAX: 64 9 489 5552</p>	TITLE		C309 Bannister Bracket	
	DO NOT SCALE IF IN DOUBT ASK		SCALE	1:1
<p>THIS DESIGN AND DRAWING IS THE COPYRIGHT OF MILES NELSON MANUFACTURING CO LTD AND IS NOT TO BE REPRODUCED WITHOUT WRITTEN PERMISSION</p>	DRAWING NO.	C309	DRAWN BY	K.P.
	SHT	1 OF 1	APPROVED BY	
		DATE	12/04/06	