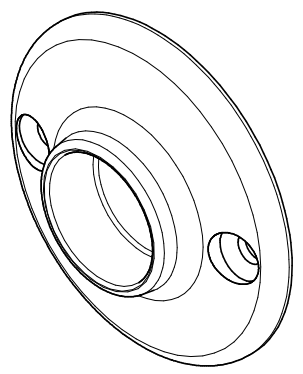
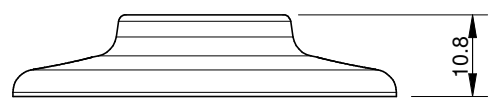
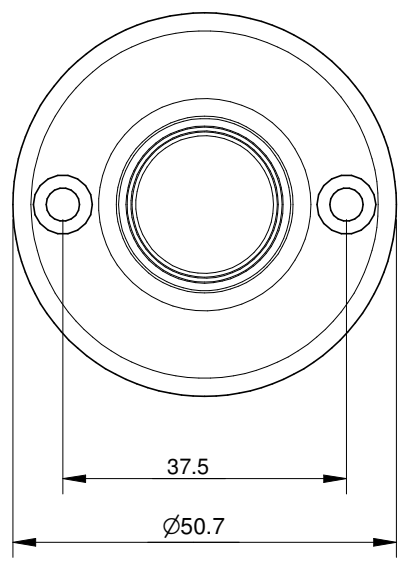


1 2 3 4 5 6

A



B



A

B

C

C

Also available for 25mm tube (C107-25)

D

D

			<u>General (mm)</u> <u>Tolerance</u> Linear 0.0 ± 0.05mm 0 ± 0.2mm Angular ± 0.2	MILES NELSON 228 KITCHENER RD MILFORD, AUCKLAND, NEW ZEALAND. PH: 64 9 489 7225 FAX: 64 9 489 5552	TITLE <p style="text-align: center;">107-19 End Flanges</p>		
ISSUE	CHANGE DESCRIPTION	DATE		THIS DESIGN AND DRAWING IS THE COPYRIGHT OF MILES NELSON MANUFACTURING CO LTD AND IS NOT TO BE REPRODUCED WITHOUT WRITTEN PERMISSION	DO NOT SCALE IF IN DOUBT ASK	SCALE 1:1	
					DRAWING NO. <p style="text-align: center;">C107-19</p>	SHT__OF__	DRAWN BY K.P.
						APPROVED BY DATE	