

1

2

3

4

5

6

A

B

C

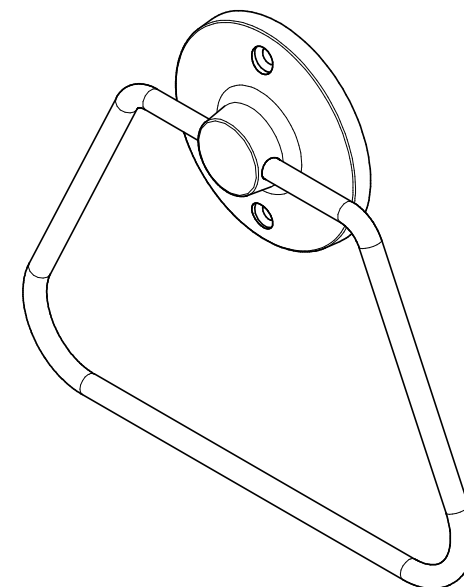
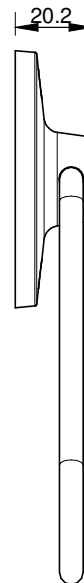
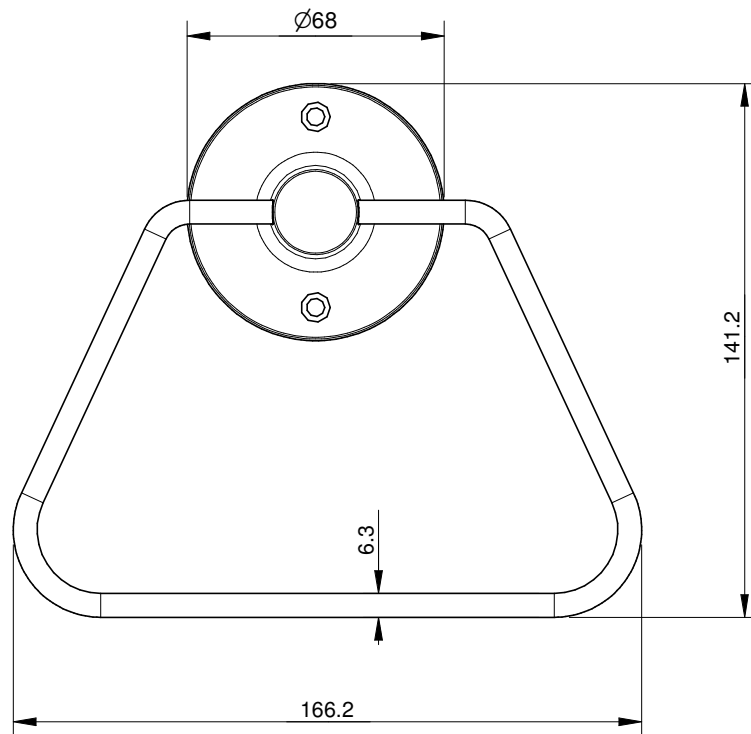
D

A

B

C

D



General (mm)
Tolerance

Linear
 $0.0 \pm 0.05\text{mm}$
 $0 \pm 0.2\text{mm}$

Angular
 ± 0.2

MILES NELSON

228 KITCHENER RD
MILFORD, AUCKLAND,
NEW ZEALAND.
PH: 64 9 489 7225
FAX: 64 9 489 5552

THIS DESIGN AND DRAWING IS THE COPYRIGHT
OF MILES NELSON MANUFACTURING CO LTD
AND IS NOT TO BE REPRODUCED WITHOUT
WRITTEN PERMISSION

TITLE

114 Towel Ring

**DO NOT SCALE
IF IN DOUBT ASK**

SCALE 1:2

DRAWN BY K.P.

DRAWING NO.

C114

SHT__OF__

APPROVED BY

DATE

ISSUE	CHANGE DESCRIPTION	DATE