

1

2

3

4

5

6

A

A

B

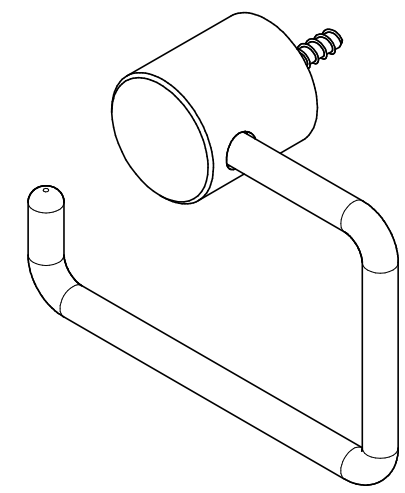
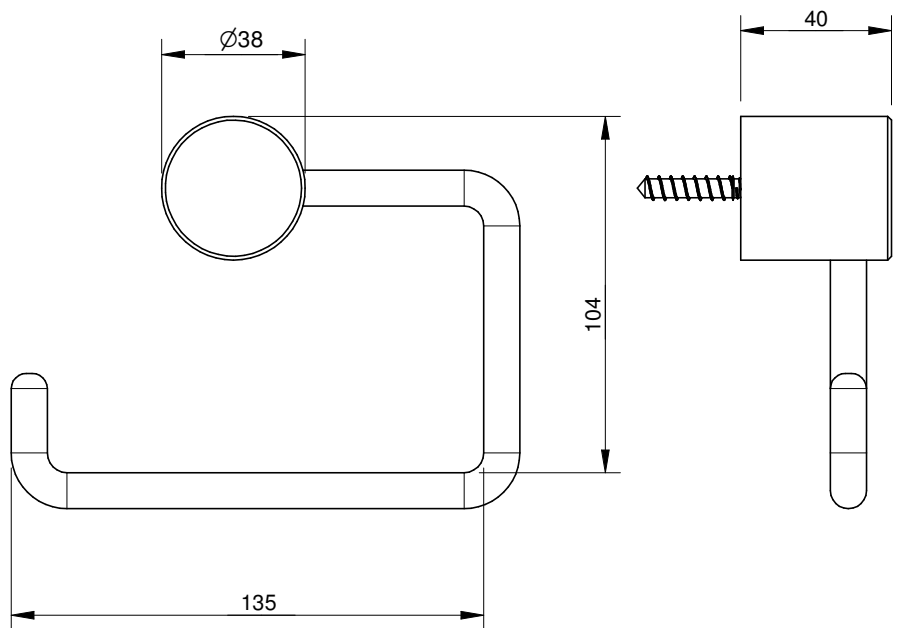
B

C

C

D

D



General (mm)  
Tolerance

Linear  
0.0 ± 0.05mm  
0 ± 0.2mm

Angular  
± 0.2

**MILES NELSON**

228 KITCHENER RD  
MILFORD, AUCKLAND,  
NEW ZEALAND.  
PH: 64 9 489 7225  
FAX: 64 9 489 5552

THIS DESIGN AND DRAWING IS THE COPYRIGHT  
OF MILES NELSON MANUFACTURING CO LTD  
AND IS NOT TO BE REPRODUCED WITHOUT  
WRITTEN PERMISSION

TITLE  
**115 Commercial Toilet Roll Holder**

**DO NOT SCALE  
IF IN DOUBT ASK**

DRAWING NO.  
**C115**

SHT\_\_OF\_\_

SCALE  
1:2  
DRAWN BY  
K.P.

APPROVED BY  
DATE

ISSUE	CHANGE DESCRIPTION	DATE