

1

2

3

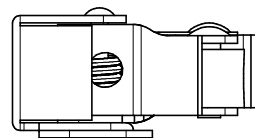
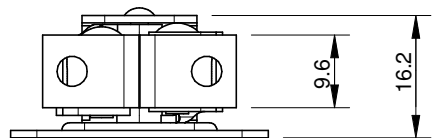
4

5

6

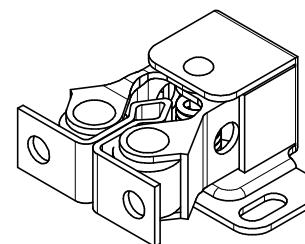
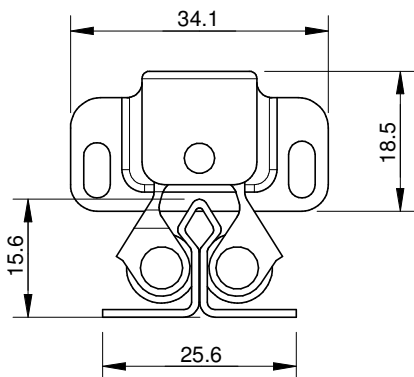
A

A



B

B



C

C

D

D

General (mm)  
Tolerance

Linear  
0.0 ± 0.05mm  
0 ± 0.2mm

Angular  
± 0.2

**MILES NELSON**

228 KITCHENER RD  
MILFORD, AUCKLAND,  
NEW ZEALAND.  
PH: 64 9 489 7225  
FAX: 64 9 489 5552

THIS DESIGN AND DRAWING IS THE COPYRIGHT  
OF MILES NELSON MANUFACTURING CO LTD  
AND IS NOT TO BE REPRODUCED WITHOUT  
WRITTEN PERMISSION

TITLE

334 Double Roller Catch

**DO NOT SCALE  
IF IN DOUBT ASK**

SCALE 1:1  
DRAWN BY K.P.

DRAWING NO.

**C334**

SHT\_\_OF\_\_

APPROVED BY

DATE

ISSUE	CHANGE DESCRIPTION	DATE