

1

2

3

4

5

6

A

A

B

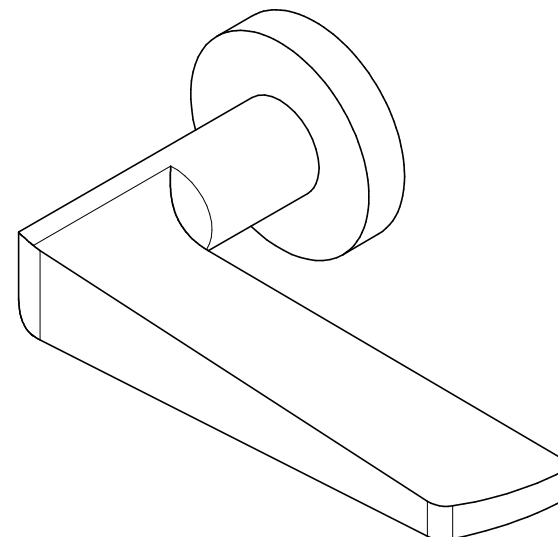
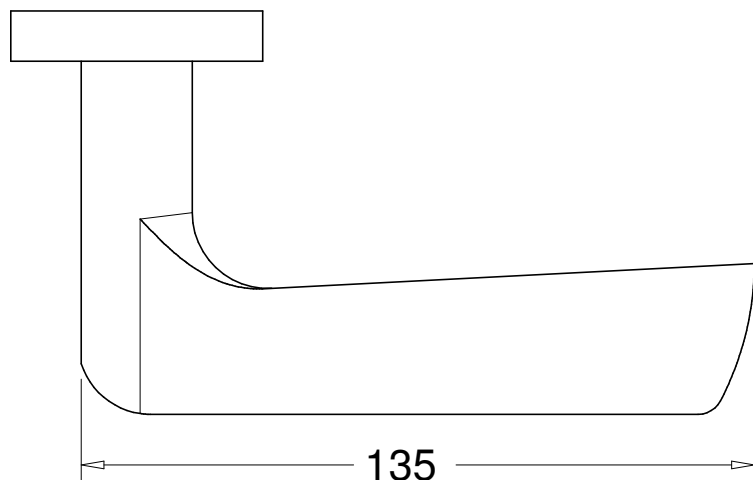
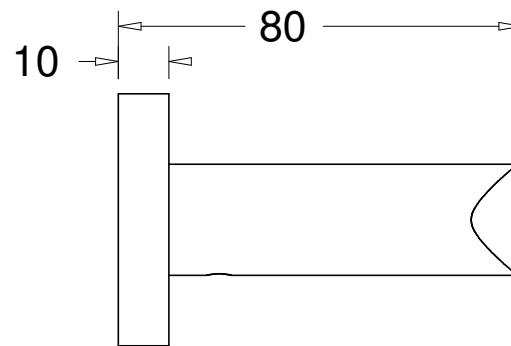
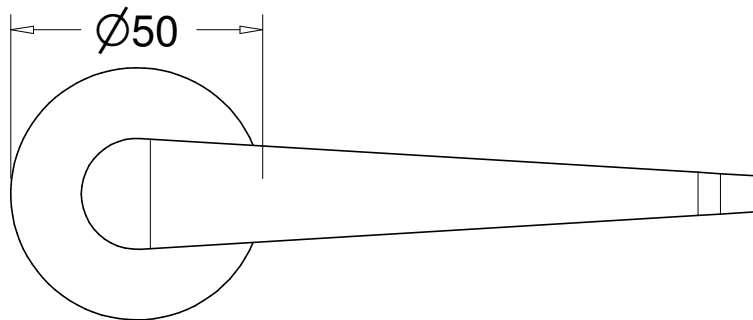
B

C

C

D

D



<p><i>MILES NELSON</i></p> <p>228 KITCHENER RD MILFORD, AUCKLAND, NEW ZEALAND. PH: 64 9 489 7225 FAX: 64 9 489 5552</p>		TITLE	
		692 LENA LEVER HANDLE	
<p>THIS DESIGN AND DRAWING IS THE COPYRIGHT OF MILES NELSON MANUFACTURING CO LTD AND IS NOT TO BE REPRODUCED WITHOUT WRITTEN PERMISSION</p>		DO NOT SCALE IF IN DOUBT ASK	SCALE
		DRAWING NO.	DRAWN BY
		SHT__OF__	APPROVED BY
			DATE 8th April 2008
