

1

2

3

4

5

6

A

A

B

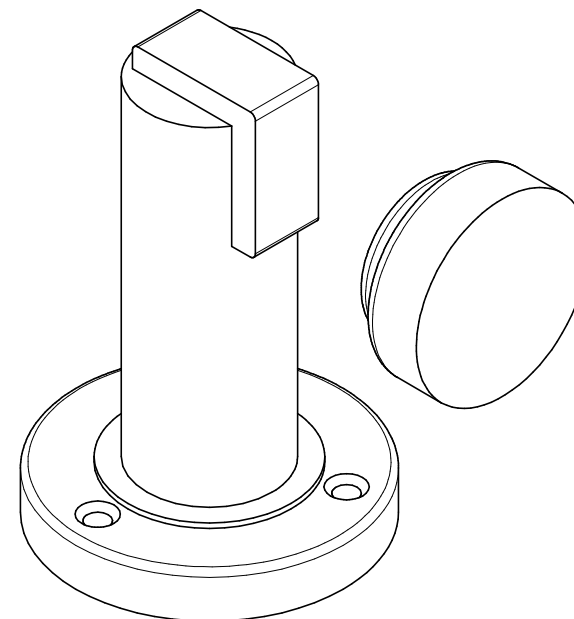
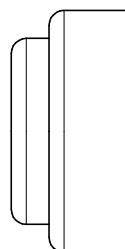
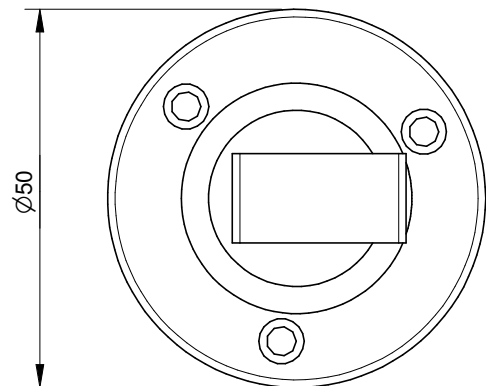
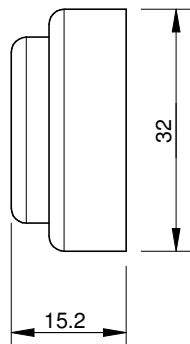
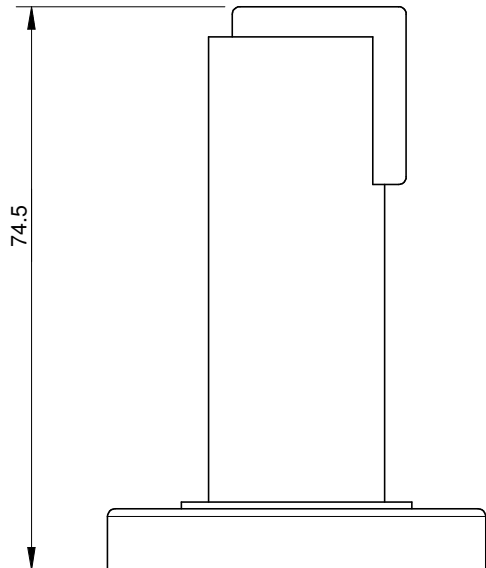
B

C

C

D

D



General (mm)
Tolerance

Linear
0.0 ± 0.05mm
0 ± 0.2mm

Angular
± 0.2

MILES NELSON

228 KITCHENER RD
MILFORD, AUCKLAND,
NEW ZEALAND.
PH: 64 9 489 7225
FAX: 64 9 489 5552

THIS DESIGN AND DRAWING IS THE COPYRIGHT
OF MILES NELSON MANUFACTURING CO LTD
AND IS NOT TO BE REPRODUCED WITHOUT
WRITTEN PERMISSION

TITLE

705 Magnetic Door Holder

**DO NOT SCALE
IF IN DOUBT ASK**

SCALE 1:1
DRAWN BY K.P.

DRAWING NO.

C705

SHT__OF__

APPROVED BY

DATE

ISSUE	CHANGE DESCRIPTION	DATE