

1

2

3

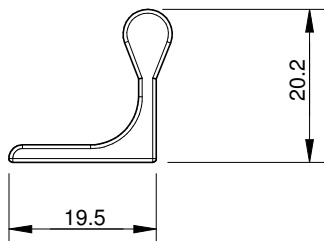
4

5

6

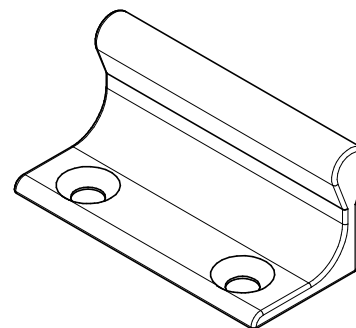
A

A



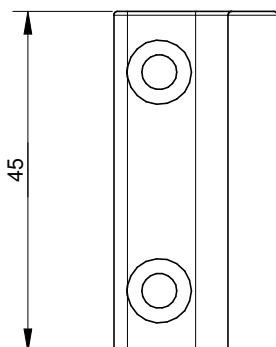
B

B



C

C



D

D

			<u>General (mm)</u> <u>Tolerance</u> Linear $0.0 \pm 0.05\text{mm}$ $0 \pm 0.2\text{mm}$ Angular ± 0.2	MILES NELSON 228 KITCHENER RD MILFORD, AUCKLAND, NEW ZEALAND. PH: 64 9 489 7225 FAX: 64 9 489 5552	TITLE 267 Sash Lift	
ISSUE	CHANGE DESCRIPTION	DATE	THIS DESIGN AND DRAWING IS THE COPYRIGHT OF MILES NELSON MANUFACTURING CO LTD AND IS NOT TO BE REPRODUCED WITHOUT WRITTEN PERMISSION	DO NOT SCALE IF IN DOUBT ASK		SCALE 1:1
				DRAWING NO. C267	SHT__OF__	DRAWN BY K.P.