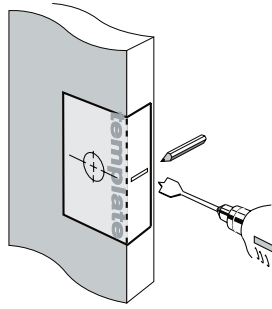


541 Square Privacy Set, 536 Circular Privacy Set (Refer to drawing on reverse)

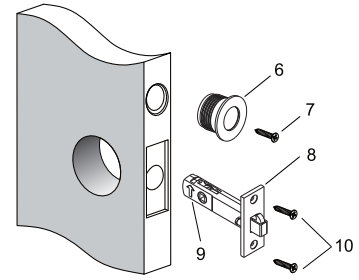
Step 1. Door Preparation

- Fold template where indicated.
- Position template on door edge at desired latch height.
- Firmly hold template and mark latch height and unit hole centre at required backset. (refer template).
- Measure door thickness and mark centre.
- Drill 25mm latch hole.
- Note: it is important to drill this hole squarely.
- At required backset drill pilot hole - suggested size 3mm.
- Enlarge hole to 54mm as required, drilling from both sides of the door.



Step 2. Latch Installation

- Drill 24mm hole for finger pull (6).
- Fasten with screw (7) provided.
- Mark and chisel latch faceplate (8) to a recess of 4mm. Use latch faceplate as a template.
- Insert latch (9) into door with hook pointing upwards.
- Fasten with two screws (10) provided.

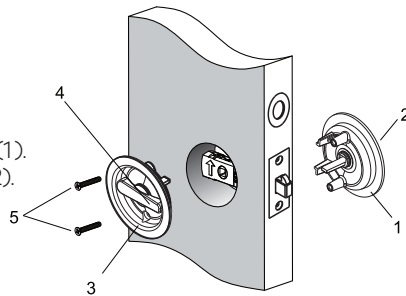


Important Note

- A. Do not operate latch before installation. The latch should be left extended until fitted in door. (Please see reverse).
- B. Maximum door gap - 2.0mm. This is the biggest door gap the latch will secure. Please ensure gap is no bigger by adjusting door prior to fitting latch.

Step 3. Assembly of Units

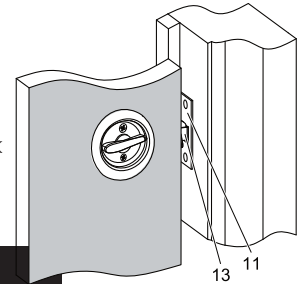
- Assemble the external unit with posts for screws to the door (1).
- Put small turnbutton horizontal (2).
- Put small end of turn knob (4) towards door edge.
- Assemble the internal unit with screw holes to the door (3).
- Fasten with screws provided (5).
- Check the latch moves freely - readjust units if required.



NOTE: Carefully follow these instructions when installing. Do not overtighten screws. Use of power drill is not recommended.

Step 4. Door Jamb Preparation

- Place the strike plate (11) on end of extended latch (13) and close door so the strike plate touches the jamb.
- Keeping the strike plate aperture evenly spaced around the latch, use the strike plate as a template to mark a cut-out on the jamb.
- Chisel the strike plate recess to a depth of 1.6mm.

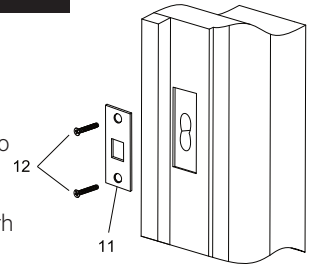


Important Note

For correct installation, ensure that the Miles Nelson Logo is at top of strike.

Step 5. Strike Plate Installation

- Using the template provided, drill two 19mm diameter holes 15mm deep to recess the latchbolt.
- Fit and fasten the strike plate (11) with screws provided (12).



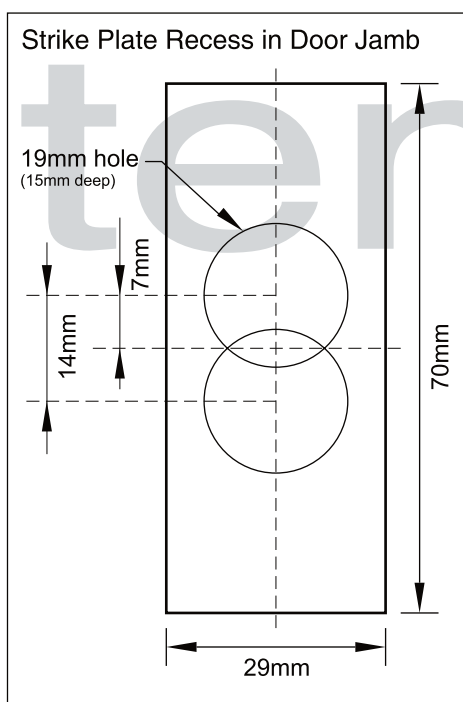
PROBLEMS AFTER FITTING

- A. If the latch won't enter the strike plate, reposition strike plate on jamb.
- B. If the door gap is too big, recess the strike plate deeper into the jamb.



Note: Installation instructions also apply to 541 Square Sliding Cavity

Installation template for Sliding Cavity Door Lock



FOLD HERE

Mark centre-line of latch hole

Mark centre-line of latch hole

54mm hole

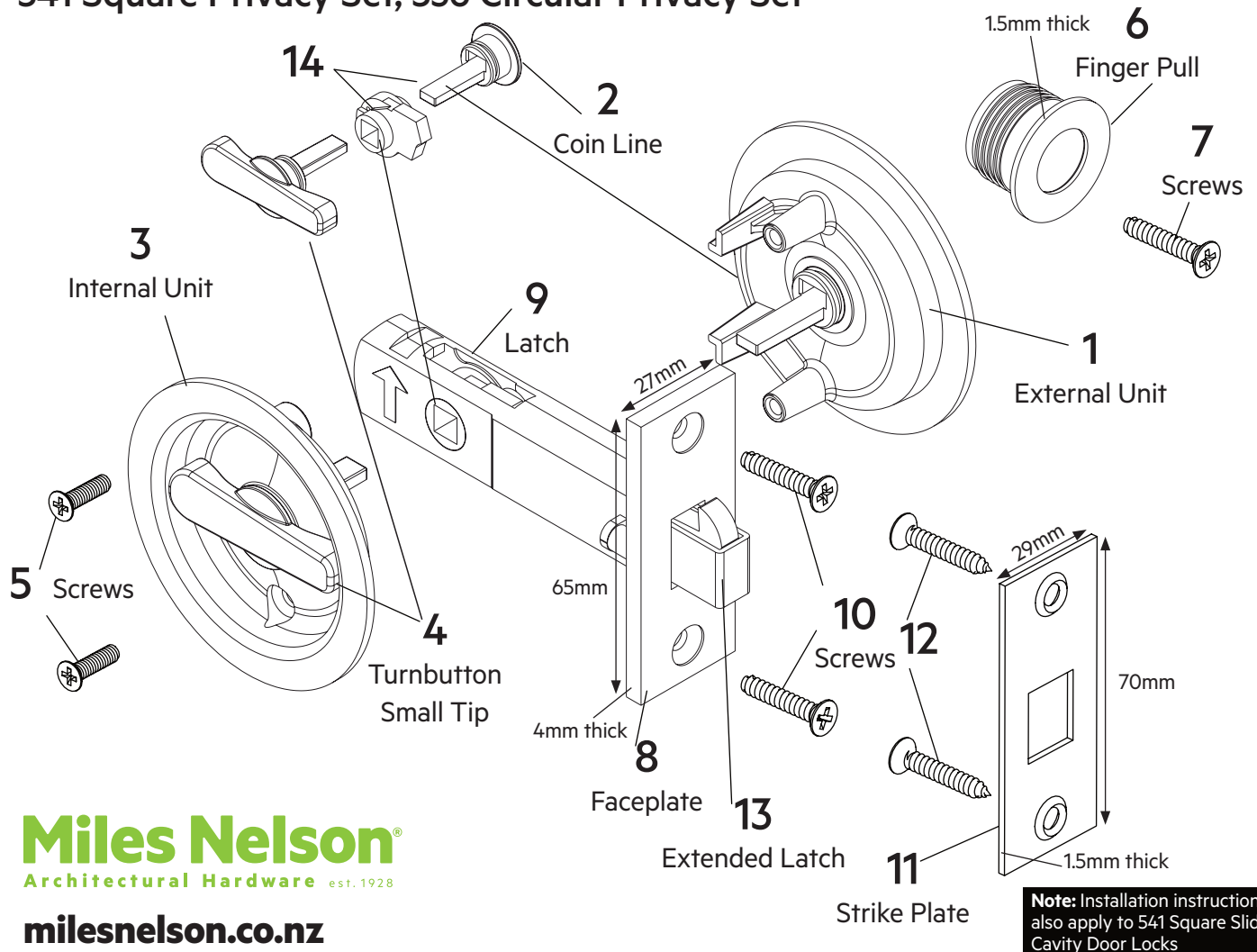
BACKSET 60mm

Fit here on door edge

Sliding Cavity Door Installation Set Out

LOCKING PRIVACY SET

541 Square Privacy Set, 536 Circular Privacy Set



Miles Nelson
Architectural Hardware est. 1928

milesnelson.co.nz