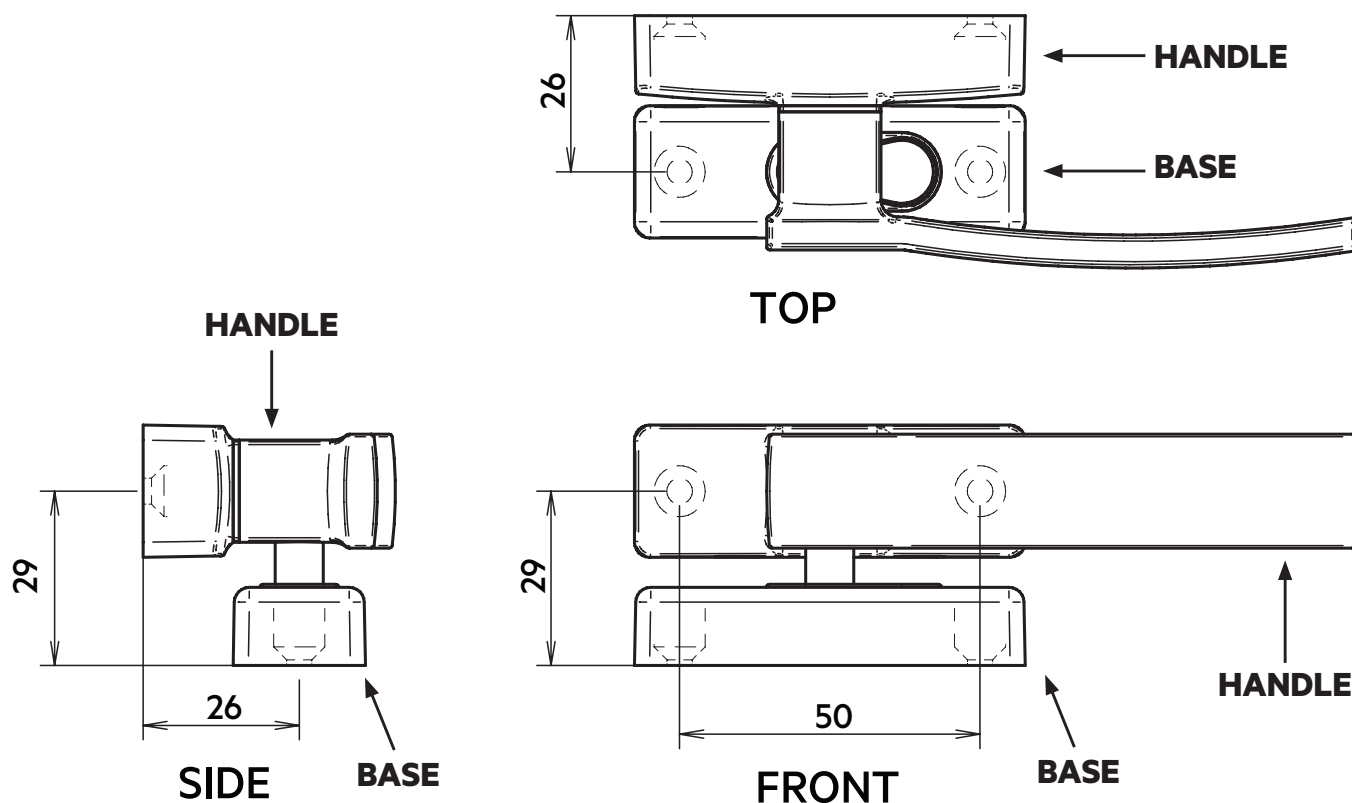


268 Quad Stay Installation Instructions



FOR SIDE APPLICATIONS (CASEMENT / AWNINGS)

- 1 Suitable for weather sealed and non-weather sealed applications.
- 2 Mark the screw hole positions for the handle and the base, approximately halfway up the window. Set out dimensions as per the images above.
- 3 Ensure that the **wider part** of the base cavity is at the bottom – i.e that the wider part of the cavity is closer to the sill.
- 4 Make sure the tongue of the lever handle turns sideways (depending on the handing) easily into the wider part of the base cavity and locks tight against the narrower part of the cavity.
- 5 Close window to ensure a tight and aligned fit.

FOR SILL BASED APPLICATIONS (CASEMENT / AWNINGS)

- 1 Suitable for weather sealed and non-weather sealed applications.
- 2 Mark the screw hole positions for the handle and the base, locate the handle in the middle of the window if both left and right hand handles are to be used on the same window, locate each handle approximately 400mm from the side casement(s). Set out dimensions as per the images above.
- 3 Ensure that the **wider part** of the base cavity is facing towards the side casement.
- 4 Make sure the tongue of the lever handle turns downwards easily into the wider part of the wedge cavity and locks tight against the narrower part of the cavity.
- 5 Close window to ensure a tight and aligned fit.