

1

2

3

4

5

6

A

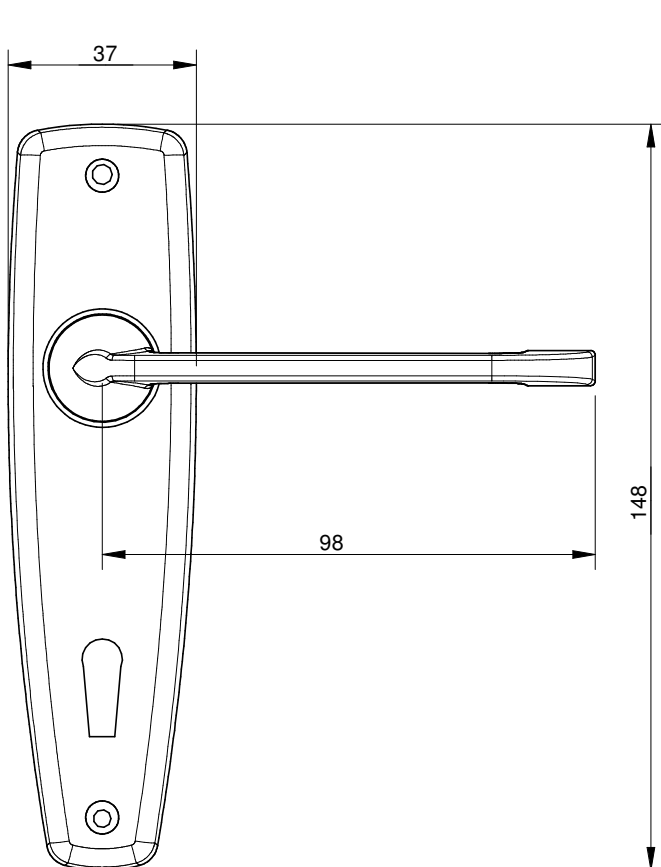
B

C

A

B

C



D

D

			<u>General (mm)</u> <u>Tolerance</u>  Linear $0.0 \pm 0.05\text{mm}$ $0 \pm 0.2\text{mm}$  Angular $\pm 0.2$	<b>MILES NELSON</b>  228 KITCHENER RD MILFORD, AUCKLAND, NEW ZEALAND. PH: 64 9 489 7225 FAX: 64 9 489 5552	TITLE  <b>280 Selim Door Furniture Lock</b>		
ISSUE	CHANGE DESCRIPTION	DATE		THIS DESIGN AND DRAWING IS THE COPYRIGHT OF MILES NELSON MANUFACTURING CO LTD AND IS NOT TO BE REPRODUCED WITHOUT WRITTEN PERMISSION	<b>DO NOT SCALE          IF IN DOUBT ASK</b>		SCALE 1:1.5
					DRAWING NO. <b>C280LK</b>	SHT__OF__	DRAWN BY K.P.
							DATE