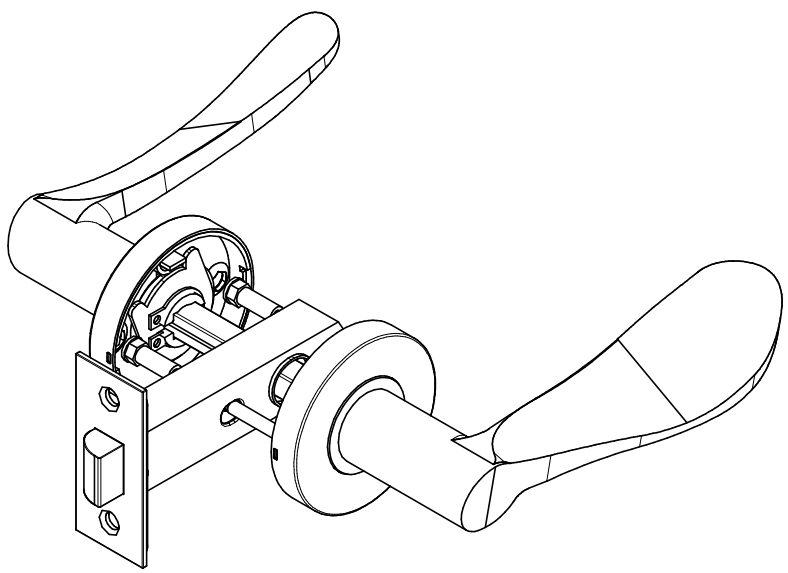
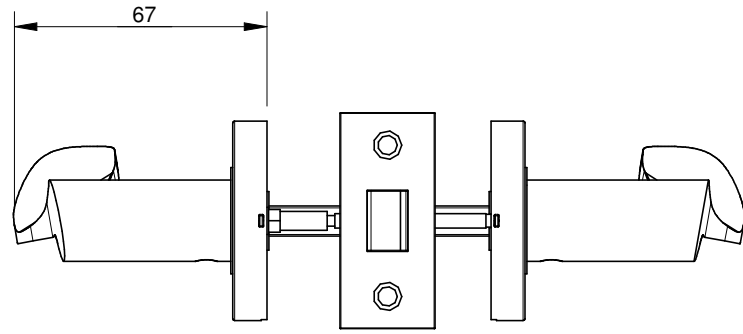
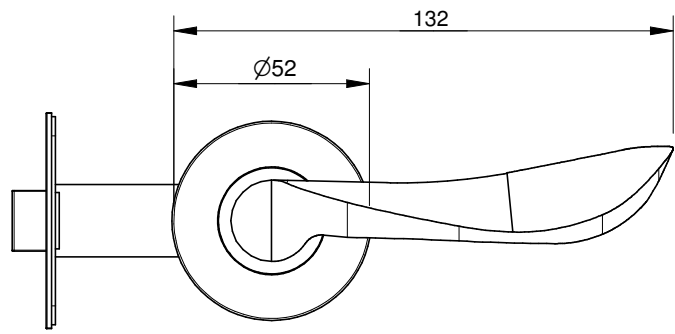


1 2 3 4 5 6



A

A

B

B

C

C

D

D

<u>General (mm)</u>
<u>Tolerance</u>
Linear
0.0 ± 0.05mm
0 ± 0.2mm
Angular
± 0.2

MILES NELSON

228 KITCHENER RD
MILFORD, AUCKLAND,
NEW ZEALAND.
PH: 64 9 489 7225
FAX: 64 9 489 5552

THIS DESIGN AND DRAWING IS THE COPYRIGHT
OF MILES NELSON MANUFACTURING CO LTD
AND IS NOT TO BE REPRODUCED WITHOUT
WRITTEN PERMISSION

TITLE		620 Nile Lever Handle	
DO NOT SCALE IF IN DOUBT ASK		SCALE	1:2
		DRAWN BY	K.P.
DRAWING NO.	SHT__OF__	APPROVED BY	
C620		DATE	

ISSUE	CHANGE DESCRIPTION	DATE