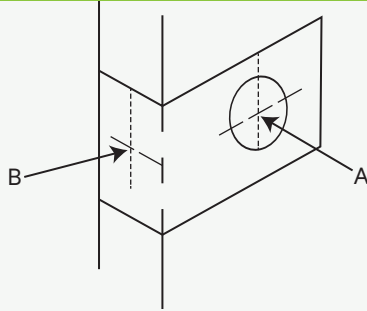


# Euro Lock Installation Instructions

## 1. Door Preparation

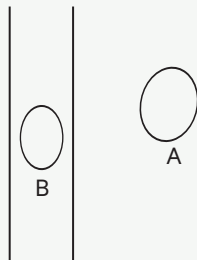
Fold template and position  
At the correct height

- A. Mark hole on door face
- B. Mark centre of door thickness on horizontal centreline



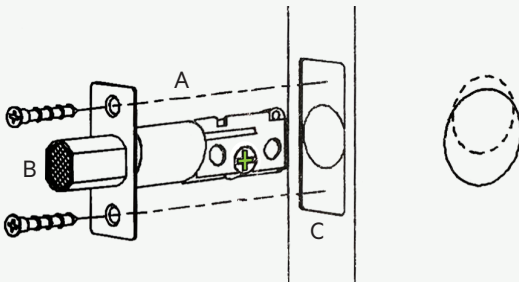
## 2. Drill Holes

When drilling through the door, drill from both sides to avoid damaging the door.



- A. Drill a 40mm hole through the door.
- B. Drill a 25mm hole x90mm deep into the front edge of the door.

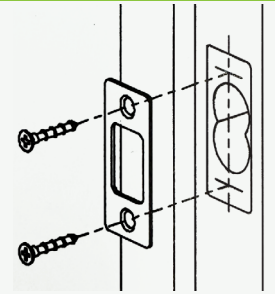
## 3. Install latch



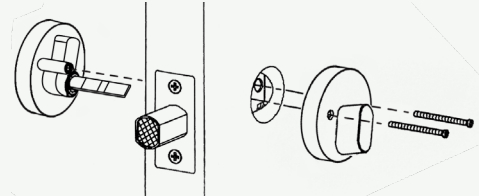
- A. Latch was set to 60mm backset. Adjust to 70mm backset when necessary.
- B. Insert latch into hole. Trace around face plate.
- C. Chisel out wood until faceplate fits flush with door edge.
- D. Fasten latch to door.

## 4. Prepare Jamb & Install Strike

- A. Mark vertical line and height centreline on jamb, exactly opposite centre of latch. Ensure the strike plate is positioned so door will not rattle.
- B. Install striker and dust liner. Use striker plate as pattern for cut-out. Chisel out and install striker.



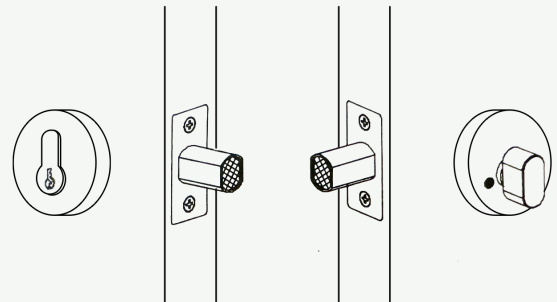
## 5. Install Furniture



- A. EURO LOCK - press interior assemble flush against door making certain the torque blade is properly positioned, should sit **vertical** in latch cam. Then insert two screws through fixing holes, engaging holes in exterior cylinder and tighten.

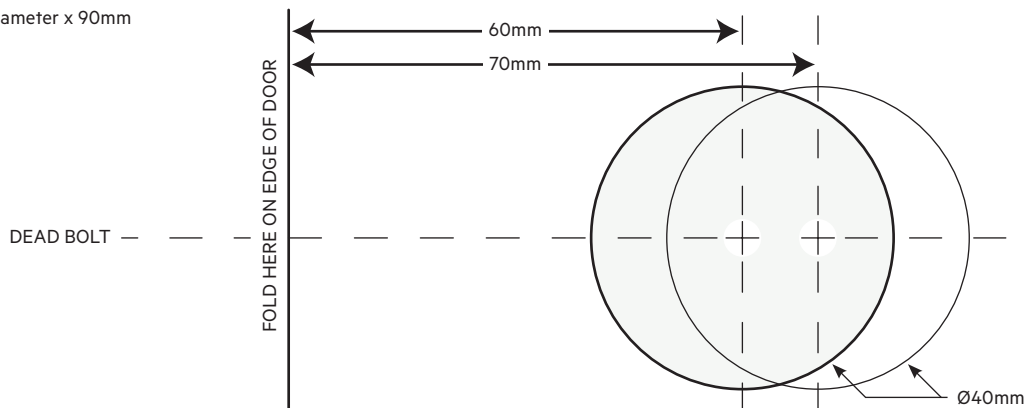
## 6. Test

Try thumb turn and key to operate latch to see if the lock works properly.



## Installation Template

Mark centre of door & drill  
a 25mm diameter x 90mm  
deep hole



Must ensure sufficient clearance within the hole that the latch mechanism can move up and down freely.

