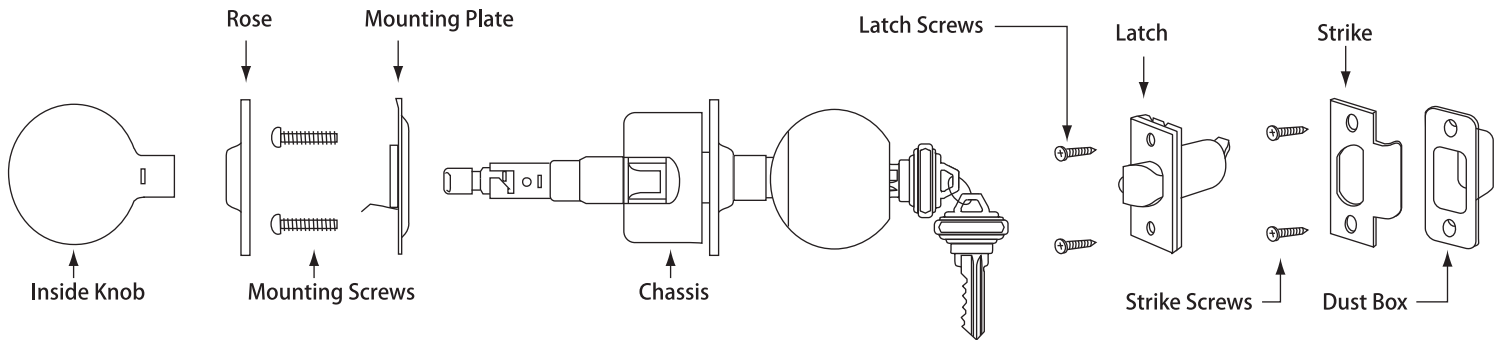


# INSTALLATION INSTRUCTIONS

**IMPORTANT - DO NOT DISASSEMBLE THE OUTSIDE KNOB MECHANISM WITHOUT A QUALIFIED SERVICE PERSON'S SUPERVISION**

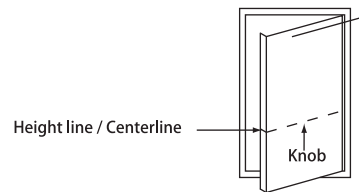
## Knob Lock



## Door and Jamb Preparation

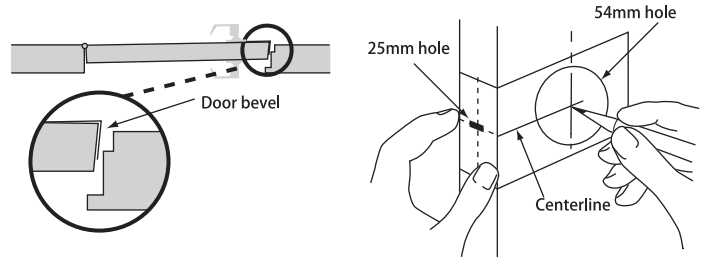
### A. Mark Lockset Centerline.

- Measure desired height from finished floor.
- Mark centerline on both faces and edge of door.
- Start approximately 915mm from floor.



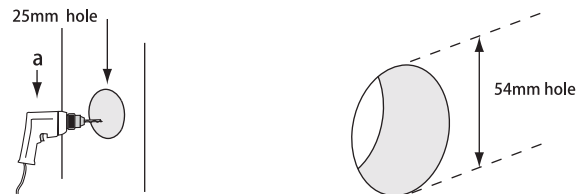
### B. Mark Trim Drill Points.

- Template should be placed on high edge of beveled door.
- Align centerline of door template with centerline marked on door edge.
- Mark door face and door edge as shown.



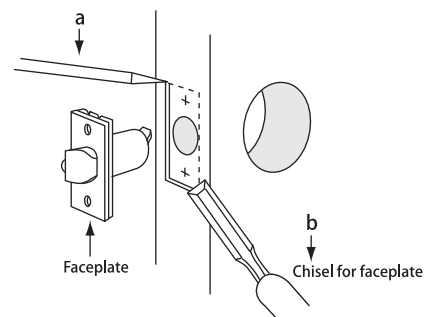
### C. Drill Trim Holes.

- Drill holes from both sides of door to avoid splintering wood.
- Hollow metal doors must be reinforced for latch support.



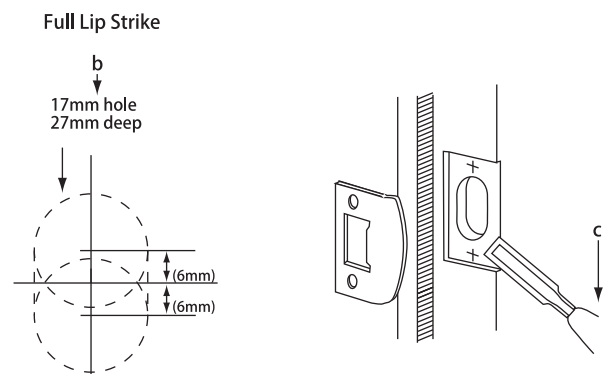
### D. For Square Corner Latch.

- Use the latch faceplate as a pattern for the mortise. (Faceplate should fit flush.)
- Chisel an 1.5mm deep cutout or until latch faceplate is flush with door edge.



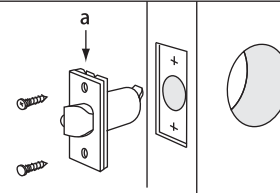
### E. Prepare Door Jamb For Strike.

- Mark vertical line and centerline on door jamb exactly opposite center of latch hole.
- Drill two 22mm holes, 17mm deep in door jamb at center point.
- Chisel a cutout for the strike. Use the strike as a pattern for the chiseling. (Strike should fit flush with the doorjamb.)



**Install Latch.**

- a. Square Corner Latch: Beveled side of bolt should face the door jamb. Install two (2) latch screws.

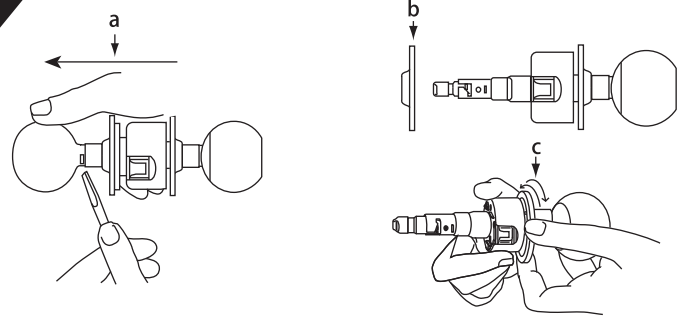


**2**

**Prepare Outside Trim for Installation.**

NOTE : DO NOT install lock with door closed.  
DO NOT disassemble outside trim unless by qualified serviceman.

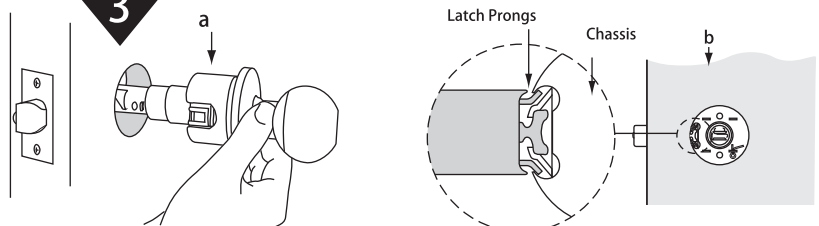
- a. Depress knob catch and slide off inside knob.
- b. Remove inside rose.
- c. If needed, rotate outside rose to suite door thickness.



**3**

**Install Outside Trim.**

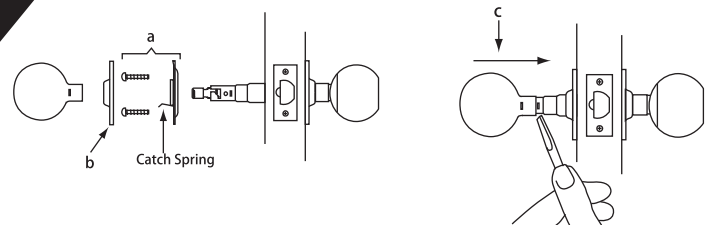
- a. Slide chassis into door.
- b. Make sure latch and chassis engage as shown.



**4**

**Install Inside Trim.**

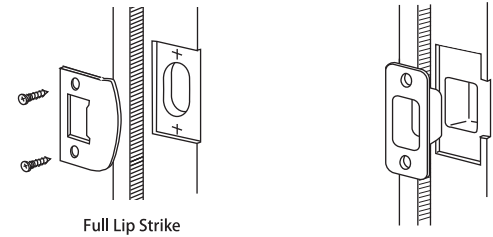
- a. Install mounting plate with catch spring in lower position and secure with mounting screws.
- b. Turn to screw on rose until tight.
- c. Depress catch and install knob.



**5**

**Install Strike.**

Install strike and secure with two (2) screws dust box behind.



**6**

**TEMPLATE**

